

The new Radia R-LCR by BG is an essential component to any high performance Radia multi-channel system. The R-LCR produces powerful bass, superior dynamic range, pinpoint imaging and lifelike clarity for music or home theater. As its name implies, the R-LCR is well-suited as the left, center or right primary speaker, using our proprietary planar ribbon technology.

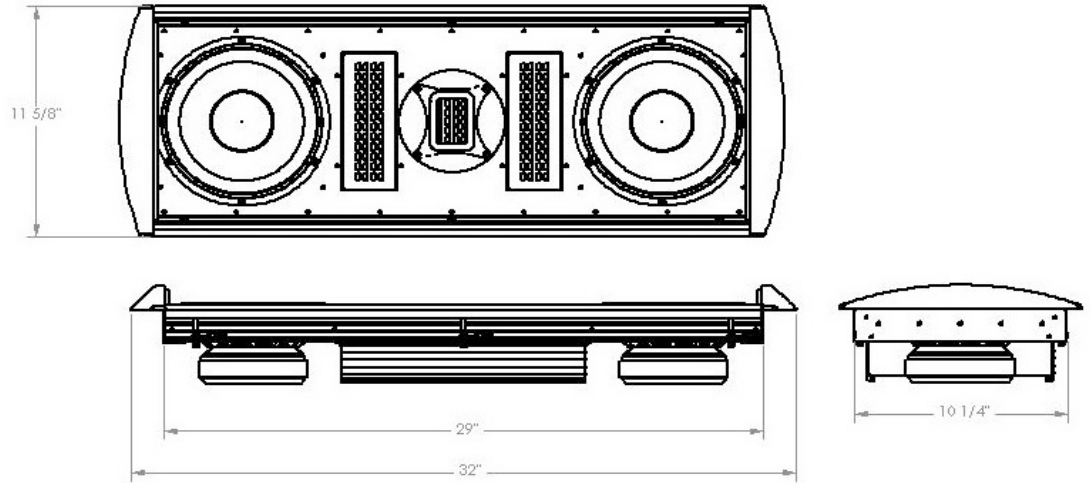
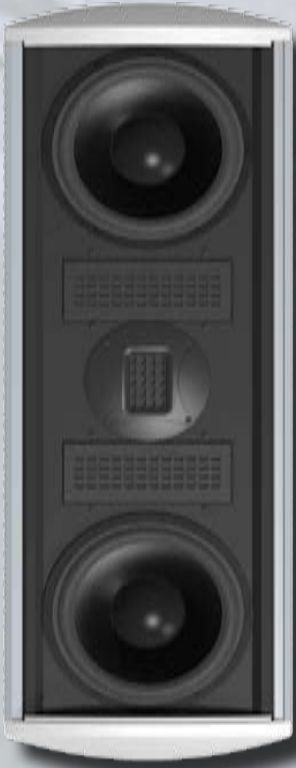
The R-LCR is a three-way system that features a single BG patented Neo3 and two Neo8 planar ribbon tweeters combined with two 8" high performance woofers. Together, these drivers provide a seamless tonal match for any of the R-Series loudspeakers making the R-LCR the perfect complement as a center channel speaker to any Radia Architectural system.

As with all Radia loudspeakers, the R-LCR is crafted in house from the finest materials such as high-grade steel and aluminum. The speaker's rugged frame makes it ideally suited for custom installations where there is zero tolerance for error and a maximum need for high fidelity. Its mounting depth allows this symmetric array to fit inconspicuously above or below the screen. The R-LCR is also paintable allowing your customer to match the finish to their decor.

Amazing for its ability to faithfully reproduce every detail in the critical dialogue channel, the R-LCR is a breathtaking solution to the most complex multi-channel challenges.

- > **Rugged** Highest quality components will provide a lifetime of trouble-free enjoyment
- > **Versatile** Perfectly suited as a horizontal center channel, main or surround speaker
- > **Stylish** Attractive industrial design with paintable grille and frame to match any decor
- > **Lifelike** Horizontal dispersion creates expanded soundstage and wider "sweet spot"
- > **Accurate** Planar ribbon drivers provide superior clarity, resolution and fidelity of sound





> GENERAL PARAMETERS:

System type	Three-way symmetric hybrid array
System dimensions (HxWx Installed D/Grille D)	32" x 11 5/8" / 3/4" (81.3 x 29.4 / 1.9 cm)
Weight	34 lbs. (15.3 kg)
Wall cut-out size	29 1/16" x 10 3/8" (73.8 x 26.4 cm)
Driver complement	2 x 8" long-throw woofers 2 x Neo8 Planar Midrange driver 1 x Neo3 Planar ribbon tweeter
Crossover	450 Hz, 2.4 kHz, passive
Frequency response	50 Hz -25 kHz (-6 dB, half space)
Sensitivity	88 dB / 2.83 V / 1m
Rated impedance	4 ohms
Power handling	200 W RMS
Warranty¹	Lifetime to the original owner

The Radia R-LCR is available through BG's authorized network of specialty custom retailers and integrators.

1. Please see BG warranty for complete details